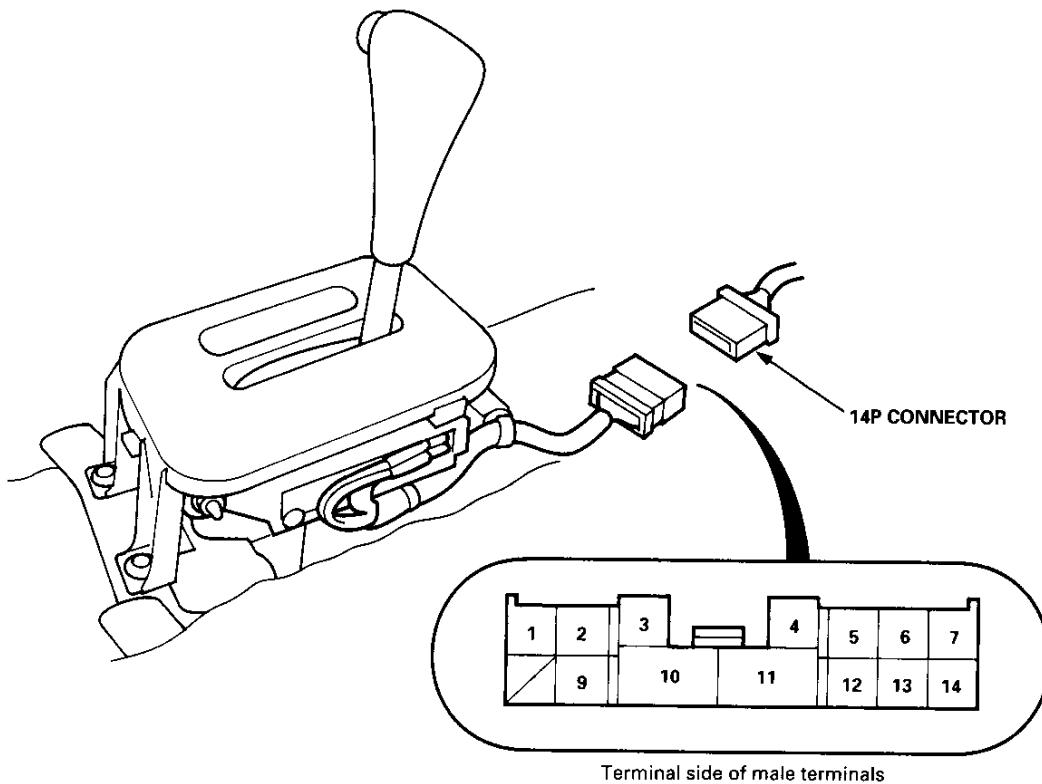


A/T Gear Position Indicator

A/T Gear Position Switch Test

1. Remove the front console (see section 20).
2. Disconnect the 14P connector from the A/T gear position switch.
3. Check for continuity between the terminals in each switch position according to the table.
 - Move the shift lever back and forth without pushing the shift lever at each switch position, and check for continuity within the range of free play of the shift lever.
 - If there is no continuity within the range of free play, adjust the position of the switch as described on the next page.



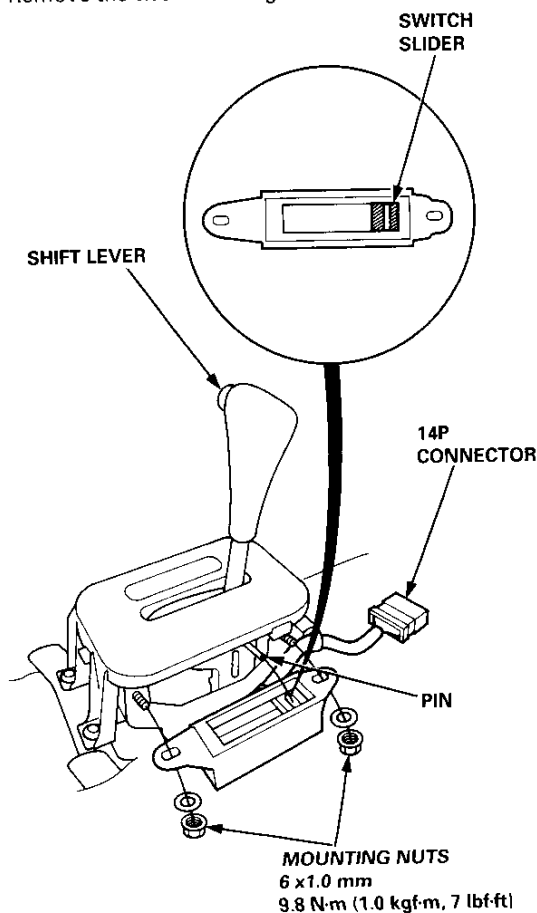
A/T Gear Position Switch							Back - up Light Switch		Neutral Position Switch				
Terminal Position	1	2	5	6	7	*1 9	12	13	14	3	4	10	11
(Not used)	○	○											
2 L	○		○			○							
D₃ S	○			○		○							
D₄ D	○				○	○							
N N	○								○			○	○
R R	○							○		○	○		
P P	○						○					○	○

* 1 : With cruise control system



A/T Gear Position Switch Replacement

1. Remove the front console, then disconnect the 14P connector from the A/T gear position switch.
2. Remove the two mounting nuts.



3. Position the switch slider to "Neutral" as shown above.
4. Move the shift lever to "Neutral", then slip the switch into position.
5. Attach the switch with the two mounting nuts.
6. Test the switch in the **P** and **N** position of the shift lever. The engine should start when the shift lever is in position **P** anywhere in the range of free play.
7. Connect the 14P connector, clamp the harness, and install the front console.

A/T Gear Position Switch Adjustment

1. Shift to the **P** position, and loosen the nuts.
2. Slide the switch in the direction of **D₁** or **D** position [within 2.0 mm (0.079 in.)] so that there is continuity between the No. 1 and No. 7 terminals in the range of free play of the shift lever.
3. Recheck for continuity between each of the terminals.

NOTE:

- If adjustment is not possible, check for damage to the shift lever detent and/or the bracket. If there is no damage, replace the console switch.
- The engine should start when the shift lever is in position **N** in the range of free play.

